

Installation manual ValkBox3



Index

Disclaimer	Page 3
Required ballast	Page 4
Safety instructions	Page 5
Required ballast per country	Page 6 - 17
Components	Page 18
Mounting the clevis	Page 19
Mounting the curved supports	Page 19
Mounting panel options	Page 20
Placing the rubber tiles	Page 21
Position the ballast	Page 21
Tighten hinge bolts B1	Page 22
Finish fitting the cables	Page 22
Position the rows one behind each other	Page 22

Pay attention

- This manual is not project specific.
- This manual is not legally binding.
- No rights may be derived from this installation manual.
- See **datasheet ValkCableCare** for cable management.
- The system is placed in the middle zone of the roof.



Disclaimer

This installation manual composed with the greatest possible care and contains specific information for correct and safe installation of the solar mounting system, including installation drawings and ballast tables, calculated according to the Eurocode regulations. The standard values used for input of these calculations, always need to be checked in advance by the installer for correctness. In case values are different, a project case specific calculation needs to be made. Please contact Van der Valk Solar Systems in this situation.

At all times all currently applicable structural, safety and building regulations must be observed prior to installation of the solar mounting system. The building in question will be subject to a load as a result of the solar mounting system installed/mounted. Solar mounting systems installed on roofs will be exposed to wind and snow loads. Therefore, you are at all times responsible to obtain and use a design calculation to establish whether or not the building will be able to withstand the (extra) load at all times. Where necessary, modifications need to be made by you. Van der Valk will not accept any form of liability upon you not having obtained and used such a required design calculation.

Mounting systems for PV-panels placed on flat roofs should either be mechanically attached to the roof or need to be supported by ballast, to make sure that the solar mounting system is unable to be lifted, tipped over or slide. The required ballast weight per system shown in the tables in this manual ensures that the mounting system can be installed and used safely. In case the inclination of the roofs is 5 degrees or more, the PV-mounting system must always be mechanically fixed to the construction of the roof.

The calculations do not take into account obstacles in the near surrounding such as, for example, high buildings, cliffs and mountains. Restrictions also apply for the position of the solar mounting system on a roof. The solar panels must be installed at a certain distance from the edge of the roof: the middle zone.

The standard warranty is 10 years, which can be extended under certain conditions. The warranty provided is subject to the warranty conditions stated in the general terms and conditions stipulated by Van der Valk Solar Systems B.V. Our terms and conditions shall apply to all our products at all times and can be found on our website:

www.valksolarsystems.com

Van der Valk Solar Systems B.V. does not accept any liability for any direct and/or indirect consequences of any act (or omission) ensuing from the information in or failure to observe the instructions provided in this installation manual. The use of the installation manual will at all times be subject to Dutch law.

Van der Valk Solar Systems holds the right to amend this document without further notice.

The ValkBox3 mounting system is a product of:

Van der Valk Solar Systems BV

Netherlands Chamber of Commerce: 27355116

www.valksolarsystems.com

Safety instructions

The ValkBox3 mounting system is installed on roofs and will be exposed to wind and snow. The building in question will be subject to a greater load as a result of the PV system. A design calculation must be used to establish whether or not the building in question will be able to withstand the extra load. Where necessary, modifications will then need to be made.

When installing the ValkBox3 mounting system, the instructions provided in this user manual must be observed at all times. Read this manual carefully and keep it in a safe place. Also follow the instructions stated in the manuals for the other system components that form part of the overall PV system. All current structural, safety and building regulations must be observed. Van der Valk Solar Systems B.V. will never be liable for any direct and/or indirect intangible or consequential loss ensuing from or connected to the failure to observe the instructions provided in this manual.

Starting points

The following starting points apply for the ValkBox3 mounting system:

The standards applied (if applicable for specific solar mounting system)

NEN-EN 1990:	Eurocode – Basis of structural design
NEN-EN 1991-1-4:	Eurocode 1: Actions on structures - Part 1-4: General actions – Wind actions
NEN7250:	Solar energy systems – Integration in roofs and facades – Constructional aspects
BS EN 1991-1-4:	British Standard

Type of solar panel

The ValkBox3 mounting system is a universal mounting system for solar panels. The following starting points apply:

Design panels:	Standard solar panels with an aluminium frame, with mounting holes for M6 bolts.
Length panels:	Up to max 2280 mm
Width panels:	926 - 1150 mm

Type of roofs

The ValkBox3 mounting system can be used to mount panels on flat roofs. The following starting points apply:

Type of roof covering: bitumen, EPDM and concrete



Before installing the ValkBox3 mounting system, make sure that you carefully sweep the roof area. The ValkBox3 mounting system (see later in this manual) may only be placed on flat roofs or ground surface up to a maximum pitch of 5 degrees. The system can not be placed on steeper roofs of surfaces.

Ballast

The ValkBox3 mounting system needs to be supported by ballast, to make sure that the system is unable to move, lift or tip over. This manual indicates how much ballast should be placed on the system based on maximum panel dimensions, wind area and roof height. The number of tiles specified (30 x 30 x 4.5 cm) per position will be vital to ensure that the mounting system can be used safely.



To achieve this, follow the required ballast instructions later in this manual.

Position

Restrictions also apply for the position of the system on a roof. The system must be installed at a certain distance from the edge of the roof, in the so called “middle zone”.



According to the Eurocode for wind loads EN1991-1-4, the edge zone of the roof is 1/5th of the roof height. So for example: if the roof height is 6 meters, a free edge zone of 1,2 meters must be maintained.

Required ballast | The Netherlands

General

The ValkBox3 mounting system must be ballasted by means of tiles, which must be placed on the indicated ballast foundations. In three steps you can easily determine the required ballast;

- Find the correct wind area for your location on the wind map
- Use the wind area in combination with the building height for the ballast table
- Select the required ballast for G1 and G2 in kg and/or number of tiles

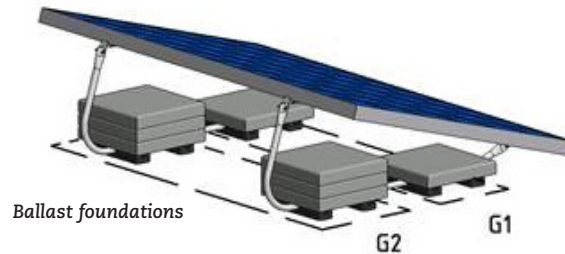
Note 1: Min. extra ballast in G1 & G2 has to be 2 x 1 tile (2 x 9 kg).

Note 2: The ballast in G1 & G2 must be equally divided over the rubber ballast carriers.

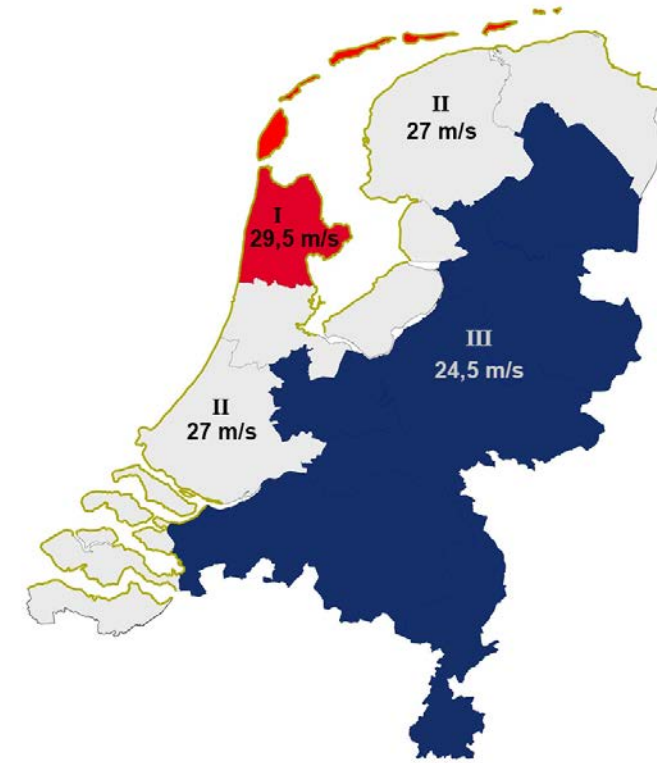
Note 3: At maximum 17 tiles (30x30x4.5 cm) can be placed on the tile carriers. 4 tiles in G1 and 13 (2x6.5) tiles in G2. This represents a ballast weight of 153 kg).

Environmental factors

Roof zone	Middle zone
Terrain category	Built area
Roofing materials	Bitumen, EPDM or concrete



Windmap The Netherlands



Panel: maximum dimensions 1800x1150 mm

Building height	0 - 5 meter		5 - 7 meter		7 - 9 meter		9 - 12 meter		12 - 15 meter		
	G1	G2	G1	G2	G1	G2	G1	G2	G1	G2	
I (29,5 m/s)	36	97	36	97	X	X	X	X	X	X	kg
	4	11	4	11	X	X	X	X	X	X	tiles
II (27 m/s)	36	77	36	4	36	4	36	104	36	X	kg
	4	9	4	9	4	10	4	12	4	X	tiles
III (24,5 m/s)	36	59	36	59	36	69	36	81	36	90	kg
	4	7	4	7	4	8	4	9	4	10	tiles

Panel: maximum dimensions 2280x1150 mm

Building height	0 - 5 meter		5 - 7 meter		7 - 9 meter		9 - 12 meter		12 - 15 meter		
	G1	G2	G1	G2	G1	G2	G1	G2	G1	G2	
I (29,5 m/s)	X	X	X	X	X	X	X	X	X	X	kg
	X	X	X	X	X	X	X	X	X	X	tiles
II (27 m/s)	36	101	36	101	36	116	X	X	X	X	kg
	4	11,5	4	11,5	4	13	X	X	X	X	tiles
III (24,5 m/s)	36	78	36	78	36	90	36	105	X	X	kg
	4	9	4	9	4	10	4	12	X	X	tiles

X = the required ballast is higher than will fit under the system. The system must be mechanically attached to the roof. Please contact Van der Valk Solar Systems.

* If you use tiles of different sizes and thus another weight, you need to adjust the number of tiles to get the right weight.

Required ballast | Belgium

General

The ValkBox3 mounting system must be ballasted by means of tiles, which must be placed on the indicated ballast foundations. In three steps you can easily determine the required ballast;

- Find the correct wind area for your location on the wind map
- Use the wind area in combination with the building height for the ballast table
- Select the required ballast for G1 and G2 in kg and/or number of tiles

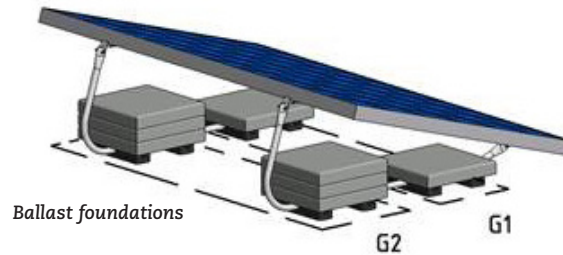
Note 1: Min. extra ballast in G1 & G2 has to be 2 x 1 tile (2 x 9 kg).

Note 2: The ballast in G1 & G2 must be equally divided over the rubber ballast carriers.

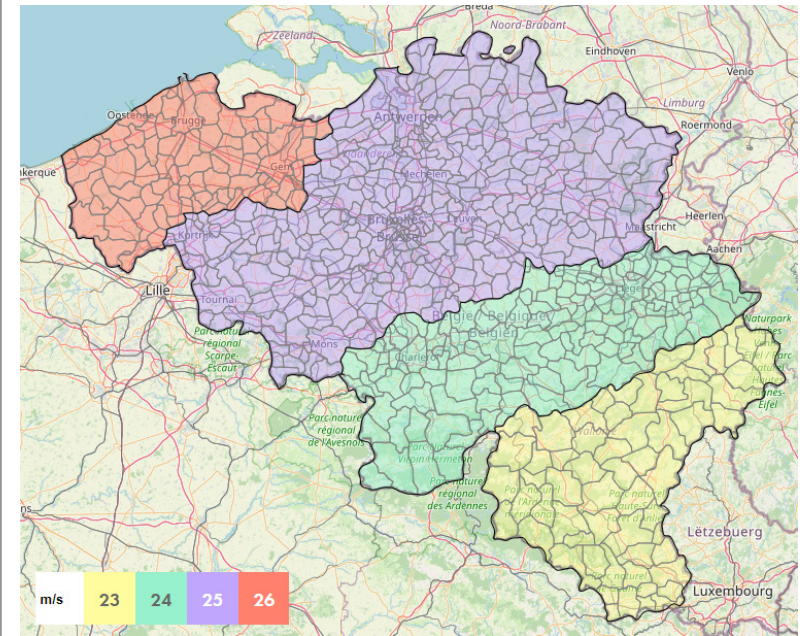
Note 3: At maximum 17 tiles (30x30x4.5 cm) can be placed on the tile carriers. 4 tiles in G1 and 13 (2x6.5) tiles in G2. This represents a ballast weight of 153 kg).

Environmental factors

Roof zone	Middle zone
Terrain category	III (villages, suburban terrain, permanent forest)
Roofing materials	Bitumen, EPDM or concrete



Windmap Belgium



Panel: maximum dimensions 1800x1150 mm

Building height	0 - 5 meter		5 - 7 meter		7 - 9 meter		9 - 12 meter		12 - 15 meter		
	G1	G2	G1	G2	G1	G2	G1	G2	G1	G2	
23 m/s	36	40	36	50	36	57	36	66	36	74	kg
	4	4,5	4	6	4	6,5	4	7,3	4	8,5	tiles
24 m/s	36	46	36	56	36	64	36	74	36	82	kg
	4	5,5	4	6,5	4	7,5	4	8,5	4	9,5	tiles
25 m/s	36	51	36	63	36	71	36	82	36	90	kg
	4	6	4	7	4	8	4	9,5	4	10	tiles
26 m/s	36	57	36	69	36	79	36	90	36	99	kg
	4	6,5	4	8	4	9	4	10	4	11	tiles

Panel: maximum dimensions 2280x1150 mm

Building height	0 - 5 meter		5 - 7 meter		7 - 9 meter		9 - 12 meter		12 - 15 meter		
	G1	G2	G1	G2	G1	G2	G1	G2	G1	G2	
23 m/s	36	54	36	66	36	76	36	87	36	96	kg
	4	6	4	7,5	4	8,5	4	10	4	11	tiles
24 m/s	36	61	36	74	36	84	36	97	36	107	kg
	4	7	4	8,5	4	9,5	4	11	4	12	tiles
25 m/s	36	68	36	82	36	93	36	107	X	X	kg
	4	8	4	9,5	4	10,5	4	12	X	X	tiles
26 m/s	36	75	36	91	X	X	X	X	X	X	kg
	4	8,5	4	10,5	X	X	X	X	X	X	tiles

X = the required ballast is higher than will fit under the system. The system must be mechanically attached to the roof. Please contact Van der Valk Solar Systems.

* If you use tiles of different sizes and thus another weight, you need to adjust the number of tiles to get the right weight.

Required ballast | Germany

General

The ValkBox3 mounting system must be ballasted by means of tiles, which must be placed on the indicated ballast foundations. In three steps you can easily determine the required ballast;

- Find the correct wind area for your location on the wind map
- Use the wind area in combination with the building height for the ballast table
- Select the required ballast for G1 and G2 in kg and/or number of tiles

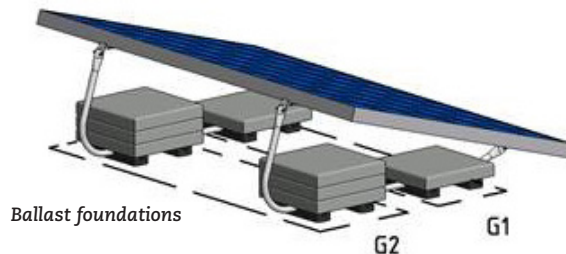
Note 1: Min. extra ballast in G1 & G2 has to be 2 x 1 tile (2 x 9 kg).

Note 2: The ballast in G1 & G2 must be equally divided over the rubber ballast carriers.

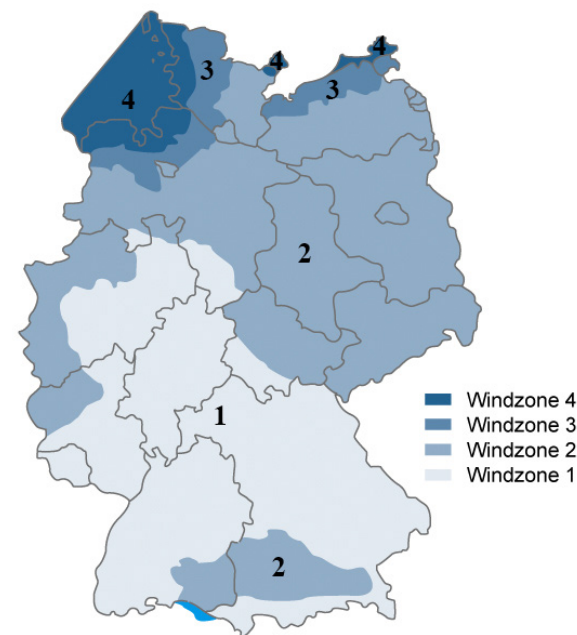
Note 3: At maximum 17 tiles (30x30x4.5 cm) can be placed on the tile carriers. 4 tiles in G1 and 13 (2x6.5) tiles in G2. This represents a ballast weight of 153 kg).

Environmental factors

Roof zone Middle zone
 Terrain category IV (city)
 Height above sea level 350 m
Exclusief North German Lowland
 Roofing materials Bitumen, EPDM or concrete



Windmap Germany



Panel: maximum dimensions 1800x1150 mm

Building height	0 - 5 meter		5 - 7 meter		7 - 9 meter		9 - 12 meter		12 - 15 meter		
	G1	G2	G1	G2	G1	G2	G1	G2	G1	G2	
1 (22,5 m/s)	36	41	36	41	36	41	36	41	36	41	kg
	4	5	4	5	4	5	4	5	4	5	tiles
2 (25 m/s)	36	56	36	56	36	56	36	56	36	56	kg
	4	6,5	4	6,5	4	6,5	4	6,5	4	6,5	tiles
3 (27,5 m/s)	36	72	36	72	36	72	36	72	36	72	kg
	4	8	4	8	4	8	4	8	4	8	tiles
4 (30 m/s)	36	89	36	89	36	89	36	89	36	89	kg
	4	10	4	10	4	10	4	10	4	10	tiles

Panel: maximum dimensions 2280x1150 mm

Building height	0 - 5 meter		5 - 7 meter		7 - 9 meter		9 - 12 meter		12 - 15 meter		
	G1	G2	G1	G2	G1	G2	G1	G2	G1	G2	
1 (22,5 m/s)	36	55	36	55	36	55	36	55	36	55	kg
	4	6,5	4	6,5	4	6,5	4	6,5	4	6,5	tiles
2 (25 m/s)	36	74	36	74	36	74	36	74	36	74	kg
	4	8,5	4	8,5	4	8,5	4	8,5	4	8,5	tiles
3 (27,5 m/s)	36	94	36	94	36	94	36	94	36	94	kg
	4	10,5	4	10,5	4	10,5	4	10,5	4	10,5	tiles
4 (30 m/s)	X	X	X	X	X	X	X	X	X	X	kg
	X	X	X	X	X	X	X	X	X	X	tiles

X = the required ballast is higher than will fit under the system. The system must be mechanically attached to the roof. Please contact Van der Valk Solar Systems.

* If you use tiles of different sizes and thus another weight, you need to adjust the number of tiles to get the right weight.

Required ballast | Ireland

General

The ValkBox3 mounting system must be ballasted by means of tiles, which must be placed on the indicated ballast foundations. In three steps you can easily determine the required ballast;

- Find the correct wind area for your location on the wind map
- Use the wind area in combination with the building height for the ballast table
- Select the required ballast for G1 and G2 in kg and/or number of tiles

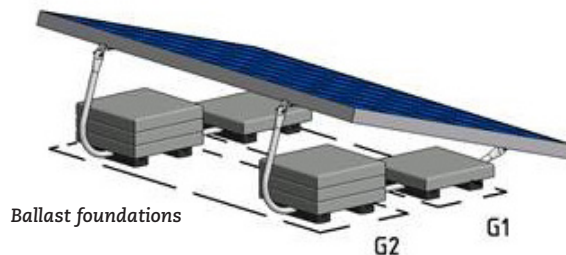
Note 1: Min. extra ballast in G1 & G2 has to be 2 x 1 tile (2 x 9 kg).

Note 2: The ballast in G1 & G2 must be equally divided over the rubber ballast carriers.

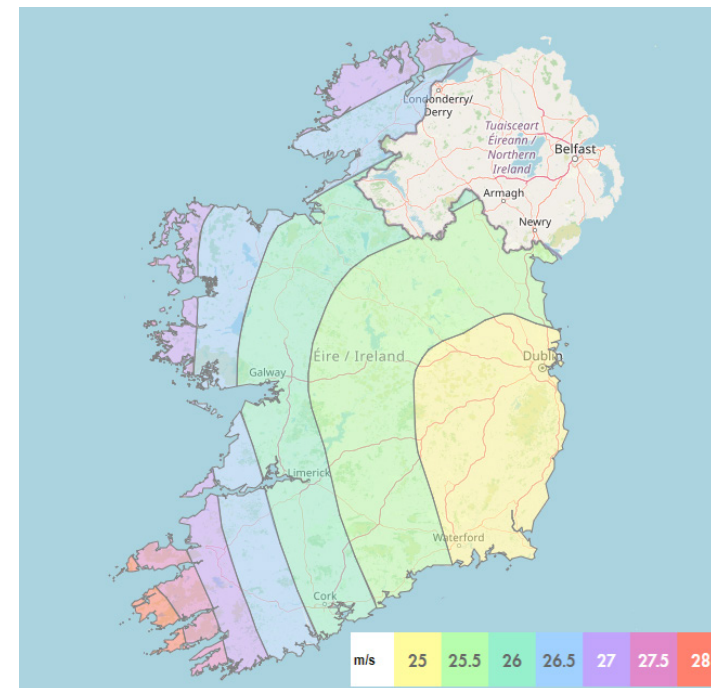
Note 3: At maximum 17 tiles (30x30x4.5 cm) can be placed on the tile carriers. 4 tiles in G1 and 13 (2x6.5) tiles in G2. This represents a ballast weight of 153 kg).

Environmental factors

Roof zone	Middle zone
Terrain category	Town
Height above sea level	50 m
Distance to coast line	5 km
Distance to city border	5 km
Roofing materials	Bitumen, EPDM or concrete



Windmap Ireland



Panel: maximum dimensions 1800x1150 mm

Building height	0 - 5 meter		5 - 7 meter		7 - 9 meter		9 - 12 meter		12 - 15 meter		
	G1	G2	G1	G2	G1	G2	G1	G2	G1	G2	
25 m/s	36	83	36	104	X	X	X	X	X	X	kg
	4	9,5	4	12	X	X	X	X	X	X	tiles
26 m/s	36	92	X	X	X	X	X	X	X	X	kg
	4	10,5	X	X	X	X	X	X	X	X	tiles
27 m/s	36	100	X	X	X	X	X	X	X	X	kg
	4	11,5	X	X	X	X	X	X	X	X	tiles
28 m/s	X	X	X	X	X	X	X	X	X	X	kg
	X	X	X	X	X	X	X	X	X	X	tiles

Panel: maximum dimensions 2280x1150 mm

Building height	0 - 5 meter		5 - 7 meter		7 - 9 meter		9 - 12 meter		12 - 15 meter		
	G1	G2	G1	G2	G1	G2	G1	G2	G1	G2	
25 m/s	36	108	X	X	X	X	X	X	X	X	kg
	4	12	X	X	X	X	X	X	X	X	tiles
26 m/s	X	X	X	X	X	X	X	X	X	X	kg
	X	X	X	X	X	X	X	X	X	X	tiles
27 m/s	X	X	X	X	X	X	X	X	X	X	kg
	X	X	X	X	X	X	X	X	X	X	tiles
28 m/s	X	X	X	X	X	X	X	X	X	X	kg
	X	X	X	X	X	X	X	X	X	X	tiles

X = the required ballast is higher than will fit under the system. The system must be mechanically attached to the roof. Please contact Van der Valk Solar Systems.

* If you use tiles of different sizes and thus another weight, you need to adjust the number of tiles to get the right weight.

Required ballast | Norway

General

The ValkBox3 mounting system must be ballasted by means of tiles, which must be placed on the indicated ballast foundations. In three steps you can easily determine the required ballast;

- Find the correct wind area for your location on the wind map
- Use the wind area in combination with the building height for the ballast table
- Select the required ballast for G1 and G2 in kg and/or number of tiles

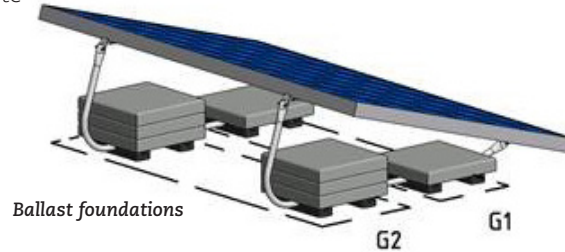
Note 1: Min. extra ballast in G1 & G2 has to be 2 x 1 tile (2 x 9 kg).

Note 2: The ballast in G1 & G2 must be equally divided over the rubber ballast carriers.

Note 3: At maximum 17 tiles (30x30x4.5 cm) can be placed on the tile carriers. 4 tiles in G1 and 13 (2x6.5) tiles in G2. This represents a ballast weight of 153 kg).

Environmental factors

Roof zone	Middle zone
Terrain category	III (villages, suburban terrain, permanent forest)
Height above sea level	175 m
Roofing materials	Bitumen, EPDM or concrete



Panel: maximum dimensions 1800x1150 mm

Building height	0 - 5 meter		5 - 7 meter		7 - 9 meter		9 - 12 meter		12 - 15 meter		
Wind area	G1	G2	G1	G2	G1	G2	G1	G2	G1	G2	
22 m/s	36	53	36	53	36	56	36	65	36	72	kg
	4	6	4	6	4	6,5	4	7,5	4	8	tiles
25 m/s	36	74	36	74	36	78	36	89	36	98	kg
	4	8,5	4	8,5	4	9	4	10	4	11	tiles
27 m/s	36	89	36	89	36	94	36	108	X	X	kg
	4	10	4	10	4	10,5	4	12	X	X	tiles
29 m/s	36	106	X	X	X	X	X	X	X	X	kg
	4	12	X	X	X	X	X	X	X	X	tiles
31 m/s	X	X	X	X	X	X	X	X	X	X	kg
	X	X	X	X	X	X	X	X	X	X	tiles

Panel: maximum dimensions 2280x1150 mm

Building height	0 - 5 meter		5 - 7 meter		7 - 9 meter		9 - 12 meter		12 - 15 meter		
Wind area	G1	G2	G1	G2	G1	G2	G1	G2	G1	G2	
22 m/s	36	70	36	70	36	74	36	85	36	94	kg
	4	8	4	8	4	8,5	4	9,5	4	10,5	tiles
25 m/s	36	96	36	96	36	102	X	X	X	X	kg
	4	11	4	11	4	11,5	X	X	X	X	tiles
27 m/s	X	X	X	X	X	X	X	X	X	X	kg
	X	X	X	X	X	X	X	X	X	X	tiles
29 m/s	X	X	X	X	X	X	X	X	X	X	kg
	X	X	X	X	X	X	X	X	X	X	tiles
31 m/s	X	X	X	X	X	X	X	X	X	X	kg
	X	X	X	X	X	X	X	X	X	X	tiles

Windmap Norway

For determining the wind area see next page.

X = the required ballast is higher than will fit under the system. The system must be mechanically attached to the roof. Please contact Van der Valk Solar Systems.

* If you use tiles of different sizes and thus another weight, you need to adjust the number of tiles to get the right weight.

Wind area | Norway

	m/s		m/s		m/s		m/s		m/s		m/s
Provincie Østfold	22	Nore og Uvdal	24	Sokndal	27	Flora	28	Provincie Nord-Trøndelag	26	Provincie Troms	26
<i>Except Municipalities:</i>		Nore og Uvdal near Hordeland	24	Bokn	28	Gulen	28	<i>Except Municipalities:</i>		<i>Except Municipalities:</i>	
Halden	24	Ål	24	Haugesund	28	Bremanger	29	Lierne	24	Bardu	24
Moss	24	Ål near Sogn og Fj.	24	Klepp	28	Bremanger near the Ålfotbreen	29	Meråker	25	Målselv	24
Rygge	24	Provincie Vestfold	23	Randaberg	28	Solund	29	Røyrvik	25	Stroffjord	24
Råde	24	<i>Except Municipalities:</i>		Rennesøy	28	Selje	31	Snåsa	25	Gáivuona/Kåfjord	25
Sarpsborg	24	Hof	22	Sola	28	Vågsøy	31	Flatanger	29	Balsfjord	26
Våler	24	Lardal	22	Time	28	Provincie Møre og Romsdal	30	Fosnes	29	Gratangen	26
Fredrikstad	26	Nøtterøy	24	Hå	29	<i>Except Municipalities:</i>		Leka	29	Ibestad	26
Hvaler	27	Sandefjord	24	Kvitsøy	29	Rindal	25	Leka on the mainland	29	Lavangen	26
Provincie Akershus	22	Stokke	24	Karmøy	30	Surnadal	25	Nærøy	29	Lyngen	26
<i>Except Municipality:</i>		Tønsberg	24	Ølen	30	Neset	26	Vikna	30	Salangen	26
Vestby	24	Larvik	25	<i>Municipality isn't in the Wind standard</i>		Norddal	26	Provincie Nordland	29	Skånland	26
Provincie Oslo	22	Tjøme	26	Provincie Hordaland	26	Stordal	26	<i>Except Municipalities:</i>		Sørreisa	26
Provincie Hedmark	22	Provincie Telemark	22	<i>Except Municipalities:</i>		Stranda	26	Beiam	26	Dyrøy	27
<i>Except Municipalities:</i>		<i>Except Municipalities:</i>		Etne	24	Sunndal	27	Evenes	26	Harstad	27
Alvdal	24	Bamble	23	Etne near the Folgefonna	24	Gjemnes	28	Fauske	26	Lenvik	27
Folldal	24	Porsgrunn	23	Granvin	24	Rauma	28	Grane	26	Nordreisa	27
Folldal near Trøndelag	24	Fyresdal	24	Kvam	24	Sykkylven	28	Hattfjelldal	26	Tranøy	27
Os	24	Kragerø	24	Modalen	24	Tingvoll	28	Hemnes	26	Tromsø	27
Os near Trøndelag	24	Tinn	24	Samnanger	24	Volda	28	Rana	26	Bjarkøy	28
Tolga	24	Tokke	24	Ulvik	24	Ørskog	28	Saltaldal	26	Kvænangen	28
Tynset	24	Tolga	24	Vaksdal	24	Ørsta	28	Sørfold	26	Skjervøy	28
Tynset Kvikne	24	Vinje	24	Voss	24	Eide	29	Ballangen	27	Karlsøy	29
Tynset near Trøndelag	24	Vinje near Rogaland/Hordaland	24	Osterøy	25	Halsa	29	Tjeldsund	27	Berg	30
Provincie Oppland	22	Provincie Aust-Agder	24	Radøy	27	Hareid	29	Tysfjord	27	Torsken	30
<i>Except Municipalities:</i>		<i>Except Municipalities:</i>		Austevoll	28	Molde	29	Hamarøy	28	Provincie Finnmark	29
Vågå	23	Arendal	26	Austrheim	28	Skodje	29	Narvik	28	<i>Except Municipalities:</i>	
Dovre	24	Grimstad	26	Bømlo	28	Sula	29	Sortland	28	Karájoga / Karasjok	24
Dovre near Trøndelag	24	Lillesand	26	Fjell	28	Ålesund	29	Vefsn	28	Guovdageaidnu / Kautokeino	24
Lom	24	Risør	26	Sund	28	Sandøy	31	Vefsn along the fjord	28	Deanu/Tana	27
Lom near Sogn og Fj.	24	Tvedestrand	26	Øygarden	29	Frei	31	Vefsn Mosjøen	28	Porsanger	27
Vang	24	Provincie Vest-Agder	24	Fedje	30	Tustna	30	Vevelstad	28	Unjárgga / Nesseby	27
Vang near Sogn og Fj.	24	<i>Except Municipalities:</i>		Provincie Sogn og Fjordane	24	<i>Municipality isn't in the Wind standard</i>		Alstahaug	30	Alta	28
Lesja	25	Flekkefjord	26	<i>Except Municipalities:</i>		<i>Municipality isn't in the Wind standard</i>		Bindal	30	Berlevåg	30
Lesja near Trøndelag/	25	Flekkefjord near Rogaland	26	Aurland	25	Provincie Sør-Trøndelag	25	Bodø	30	Gamvik	30
Møre og Romsdal	25	Kristiansand	26	Eid	26	<i>Except Municipalities:</i>		Dønna	30	Hasvik	30
Skjåk	25	Lyngdal	26	Fjaler	26	Malvik	26	Flakstad	30	Måsøy	30
Skjåk near Sogn og Fj./	25	Søngne	26	Førde	26	Oppdal	26	Herøy	30	Nordkapp	30
Møre og Romsdal	25	Farsund	28	Førde near the Jostedalsbreen	26	Rennebu	26	Leirfjord	30	Vardø	30
Provincie Buskerud	22	Lindesnes	28	Gaular	26	Trondheim	26	Lurøy	30	Provincie Svalbard	30
<i>Except Municipalities:</i>		Mandal	28	Gloppen	26	Agdenes	27	Lurøy on the mainland	30	<i>Except Municipalities:</i>	
Hemsedal	24	Provincie Rogaland	26	Gloppen near the Ålfotbreen and		Rissa	27	Nesna	30	<i>Except Municipalities:</i>	
Hemsedal near Sogn og Fj.	24	<i>Except Municipalities:</i>		Jostedalsbreen	26	Snillfjord	27	Sømna	30	<i>Except Municipalities:</i>	
Hol	24	Hjelmeland	24	Hornindal	26	Hemne	28	Vega	30	<i>Except Municipalities:</i>	
Hol near Hordeland /	24	Sauda	24	Hyllestad	26	Bjugn	29	Vestvågøy	30	<i>Except Municipalities:</i>	
Sogn og Fjordane	24	Suldal	24	Høyanger	26	Roan	29	Andøy	31	<i>Except Municipalities:</i>	
Hurum	24	Vindafjord	24	Lærdal	26	Åfjord	29	Moskenes	31	<i>Except Municipalities:</i>	
		Eigersund	27	Naustdal	26	Frøya	30	Røst	31	<i>Except Municipalities:</i>	
				Askvoll	28	Hitra	30	Træna	31	<i>Except Municipalities:</i>	
						Ørland	30	Værøy	31	<i>Except Municipalities:</i>	
								Skjerstad	31	<i>Except Municipalities:</i>	
								<i>Municipality isn't in the Wind standard</i>			

Required ballast | Sweden

General

The ValkBox3 mounting system must be ballasted by means of tiles, which must be placed on the indicated ballast foundations. In three steps you can easily determine the required ballast;

- Find the correct wind area for your location on the wind map
- Use the wind area in combination with the building height for the ballast table
- Select the required ballast for G1 and G2 in kg and/or number of tiles

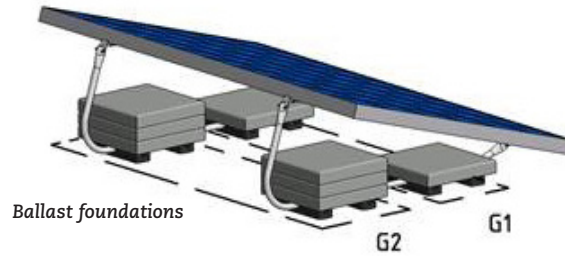
Note 1: Min. extra ballast in G1 & G2 has to be 2 x 1 tile (2 x 9 kg).

Note 2: The ballast in G1 & G2 must be equally divided over the rubber ballast carriers.

Note 3: At maximum 17 tiles (30x30x4.5 cm) can be placed on the tile carriers. 4 tiles in G1 and 13 (2x6.5) tiles in G2. This represents a ballast weight of 153 kg).

Environmental factors

Roof zone	Middle zone
Terrain category	III (villages, suburban terrain, permanent forest)
Roofing materials	Bitumen, EPDM or concrete



Panel: maximum dimensions 1800x1150 mm

Building height	0 - 5 meter		5 - 7 meter		7 - 9 meter		9 - 12 meter		12 - 15 meter		
	G1	G2	G1	G2	G1	G2	G1	G2	G1	G2	
22 m/s	36	29	36	37	36	44	36	51	36	57	kg
	4	3,5	4	4,5	4	5	4	6	4	6,5	tiles
23 m/s	36	34	36	43	36	49	36	58	36	64	kg
	4	4	4	5	4	5,5	4	6,5	4	7,5	tiles
24 m/s	36	39	36	48	36	56	36	64	36	72	kg
	4	4,5	4	5,5	4	6,5	4	7,5	4	8	tiles
25 m/s	36	44	36	54	36	62	36	72	36	79	kg
	4	5	4	6	4	7	4	8	4	9	tiles
26 m/s	36	49	36	60	36	69	36	79	36	87	kg
	4	5,5	4	7	4	8	4	9	4	10	tiles

Panel: maximum dimensions 2280x1150 mm

Building height	0 - 5 meter		5 - 7 meter		7 - 9 meter		9 - 12 meter		12 - 15 meter		
	G1	G2	G1	G2	G1	G2	G1	G2	G1	G2	
22 m/s	36	40	36	50	36	58	36	68	36	75	kg
	4	4,5	4	6	4	6,5	4	8	4	8,5	tiles
23 m/s	36	46	36	57	36	66	36	76	36	84	kg
	4	5,5	4	6,5	4	7,5	4	8,5	4	9,5	tiles
24 m/s	36	52	36	64	36	73	36	85	36	94	kg
	4	6	4	7,5	4	8,5	4	9,5	4	10,5	tiles
25 m/s	36	58	36	71	36	81	36	94	36	103	kg
	4	6,5	4	8	4	9	4	10,5	4	11,5	tiles
26 m/s	36	65	36	79	36	90	36	103	X	X	kg
	4	7,5	4	9	4	10	4	11,5	X	X	tiles



X = the required ballast is higher than will fit under the system. The system must be mechanically attached to the roof. Please contact Van der Valk Solar Systems.

* If you use tiles of different sizes and thus another weight, you need to adjust the number of tiles to get the right weight.

Required ballast | Finland

General

The ValkBox3 mounting system must be ballasted by means of tiles, which must be placed on the indicated ballast foundations. In three steps you can easily determine the required ballast;

- Find the correct wind area for your location on the wind map
- Use the wind area in combination with the building height for the ballast table
- Select the required ballast for G1 and G2 in kg and/or number of tiles

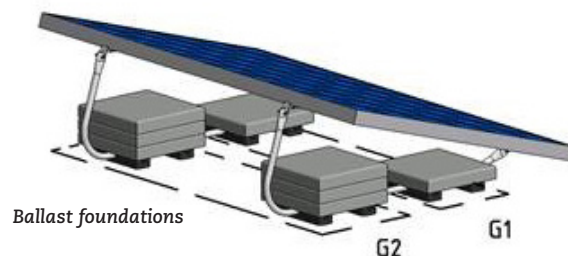
Note 1: Min. extra ballast in G1 & G2 has to be 2 x 1 tile (2 x 9 kg).

Note 2: The ballast in G1 & G2 must be equally divided over the rubber ballast carriers.

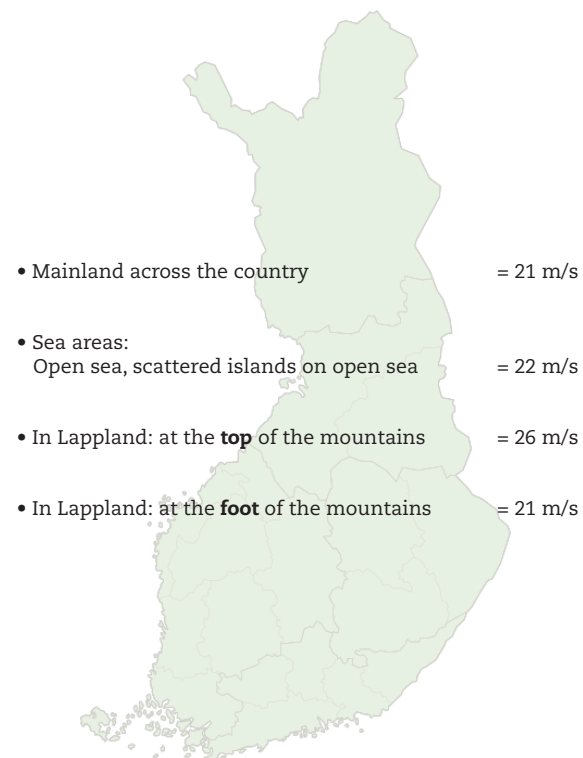
Note 3: At maximum 17 tiles (30x30x4.5 cm) can be placed on the tile carriers. 4 tiles in G1 and 13 (2x6.5) tiles in G2. This represents a ballast weight of 153 kg).

Environmental factors

Roof zone	Middle zone
Terrain category	III (villages, suburban terrain, permanent forest)
Roofing materials	Bitumen, EPDM or concrete



Windmap Finland



Panel: maximum dimensions 1800x1150 mm

Building height	0 - 5 meter		5 - 7 meter		7 - 9 meter		9 - 12 meter		12 - 15 meter		
	G1	G2	G1	G2	G1	G2	G1	G2	G1	G2	
21 m/s	36	40	36	50	36	57	36	66	36	73	kg
	4	4,5	4	6	4	6,5	4	7,5	4	8,5	tiles
22 m/s	36	46	36	57	36	65	36	74	36	82	kg
	4	5,5	4	6,5	4	7,5	4	8,5	4	9,5	tiles
26 m/s	36	72	36	87	36	98	X	X	X	X	kg
	4	8	4	10	4	11	X	X	X	X	tiles

Panel: maximum dimensions 2280x1150 mm

Building height	0 - 5 meter		5 - 7 meter		7 - 9 meter		9 - 12 meter		12 - 15 meter		
	G1	G2	G1	G2	G1	G2	G1	G2	G1	G2	
21 m/s	36	54	36	66	36	75	36	86	36	95	kg
	4	6	4	7,5	4	8,5	4	10	4	11	tiles
22 m/s	36	61	36	75	36	85	36	97	36	107	kg
	4	7	4	8,5	4	9,5	4	11	4	12	tiles
26 m/s	36	94	X	X	X	X	X	X	X	X	kg
	4	10,5	X	X	X	X	X	X	X	X	tiles

X = the required ballast is higher than will fit under the system. The system must be mechanically attached to the roof. Please contact Van der Valk Solar Systems.

* If you use tiles of different sizes and thus another weight, you need to adjust the number of tiles to get the right weight.

Required ballast | Poland

General

The ValkBox3 mounting system must be ballasted by means of tiles, which must be placed on the indicated ballast foundations. In three steps you can easily determine the required ballast;

- Find the correct wind area for your location on the wind map
- Use the wind area in combination with the building height for the ballast table
- Select the required ballast for G1 and G2 in kg and/or number of tiles

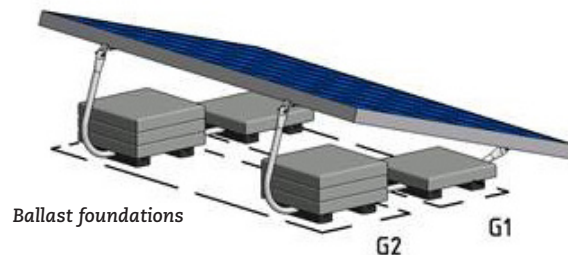
Note 1: Min. extra ballast in G1 & G2 has to be 2 x 1 tile (2 x 9 kg).

Note 2: The ballast in G1 & G2 must be equally divided over the rubber ballast carriers.

Note 3: At maximum 17 tiles (30x30x4.5 cm) can be placed on the tile carriers. 4 tiles in G1 and 13 (2x6.5) tiles in G2. This represents a ballast weight of 153 kg).

Environmental factors

Roof zone	Middle zone
Terrain category	III (villages, suburban terrain, permanent forest)
Roofing materials	Bitumen, EPDM or concrete



Windmap Poland



Panel: maximum dimensions 1800x1150 mm

Building height	0 - 5 meter		5 - 7 meter		7 - 9 meter		9 - 12 meter		12 - 15 meter		
	G1	G2	G1	G2	G1	G2	G1	G2	G1	G2	
1	36	54	36	60	36	66	36	72	36	78	kg
	4	6	4	7	4	7,5	4	8	4	9	tiles
2	36	83	36	92	36	100	X	X	X	X	kg
	4	9,5	4	10,5	4	11,5	X	X	X	X	tiles
3	36	54	36	60	36	66	36	72	36	78	kg
	4	6	4	7	4	7,5	4	8	4	9	tiles

Panel: maximum dimensions 2280x1150 mm

Building height	0 - 5 meter		5 - 7 meter		7 - 9 meter		9 - 12 meter		12 - 15 meter		
	G1	G2	G1	G2	G1	G2	G1	G2	G1	G2	
1	36	71	36	79	36	86	36	95	36	102	kg
	4	8	4	9	4	10	4	11	4	11,5	tiles
2	36	108	X	X	X	X	X	X	X	X	kg
	4	12	X	X	X	X	X	X	X	X	tiles
3	36	71	36	79	36	86	36	95	36	102	kg
	4	8	4	9	4	10	4	11	4	11,5	tiles

X = the required ballast is higher than will fit under the system. The system must be mechanically attached to the roof. Please contact Van der Valk Solar Systems.

* If you use tiles of different sizes and thus another weight, you need to adjust the number of tiles to get the right weight.

Required ballast | Spain

General

The ValkBox3 mounting system must be ballasted by means of tiles, which must be placed on the indicated ballast foundations. In three steps you can easily determine the required ballast;

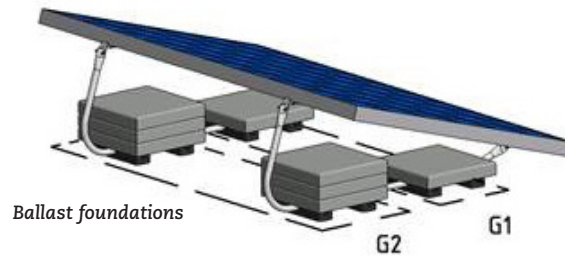
- Find the correct wind area for your location on the wind map
- Use the wind area in combination with the building height for the ballast table
- Select the required ballast for G1 and G2 in kg and/or number of tiles

Note 1: The ballast in G1 & G2 must be equally divided over the rubber ballast carriers.

Note 2 Always check in advance if the required weight for ballast tiles can be placed correctly under the system. The tiles need to be placed in a stable position, so they can not move or fall off the rubber support feet.

Environmental factors

Roof zone	Middle zone
Terrain category	III (villages, suburban terrain, permanent forest)
Height above sea level	< 1000 m
Roofing materials	Bitumen, EPDM or concrete



Windmap Spain



Panel: maximum dimensions 1800x1150 mm

Building height	0 - 5 meter		5 - 7 meter		7 - 9 meter		9 - 12 meter		12 - 15 meter		
	G1	G2	G1	G2	G1	G2	G1	G2	G1	G2	
Wind zone											
A (26 m/s)	36	66	36	79	36	90	36	102	36	112	kg
B (27 m/s)	36	72	36	87	36	98	36	112	36	125	kg
C (29 m/s)	36	86	36	103	36	116	36	137	36	153	kg

Panel: maximum dimensions 2280x1150 mm

Building height	0 - 5 meter		5 - 7 meter		7 - 9 meter		9 - 12 meter		12 - 15 meter		
	G1	G2	G1	G2	G1	G2	G1	G2	G1	G2	
Wind zone											
A (26 m/s)	36	86	36	103	36	117	36	134	36	151	kg
B (27 m/s)	36	95	36	113	36	128	36	150	36	168	kg
C (29 m/s)	36	113	36	136	36	158	36	183	36	204	kg

In case the space under the panel is insufficient for the size of the ballast tiles, the system needs to be mechanically fixed to the roof. Please contact Van der Valk Solar Systems for recommendations.

Required ballast | Portugal

General

The ValkBox3 mounting system must be ballasted by means of tiles, which must be placed on the indicated ballast foundations. In three steps you can easily determine the required ballast;

- Find the correct wind area for your location on the wind map
- Use the wind area in combination with the building height for the ballast table
- Select the required ballast for G1 and G2 in kg and/or number of tiles

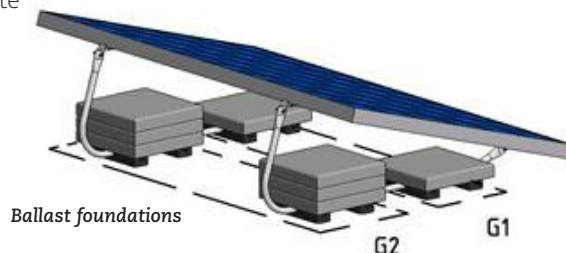
Note 1: Min. extra ballast in G1 & G2 has to be 2 x 1 tile (2 x 9 kg).

Note 2: The ballast in G1 & G2 must be equally divided over the rubber ballast carriers.

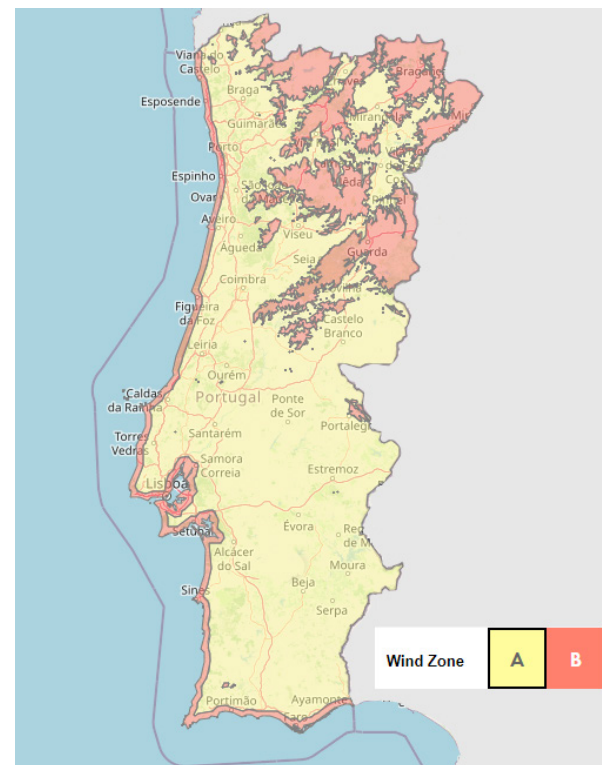
Note 3: At maximum 17 tiles (30x30x4.5 cm) can be placed on the tile carriers. 4 tiles in G1 and 13 (2x6.5) tiles in G2. This represents a ballast weight of 153 kg.

Environmental factors

Roof zone	Middle zone
Terrain category	III (villages, suburban terrain, permanent forest)
Height above sea level	< 1000 m
Roofing materials	Bitumen, EPDM or concrete



Windmap Portugal



Panel: maximum dimensions 1800x1150 mm

Building height	0 - 5 meter		5 - 7 meter		7 - 9 meter		9 - 12 meter		12 - 15 meter		
	G1	G2	G1	G2	G1	G2	G1	G2	G1	G2	
Wind zone A (27 m/s)	36	72	36	72	36	72	36	72	36	72	kg
	4	8	4	8	4	8	4	8	4	8	tiles
Wind zone B (30 m/s)	36	93	36	93	36	93	36	93	36	93	kg
	4	10,5	4	10,5	4	10,5	4	10,5	4	10,5	tiles

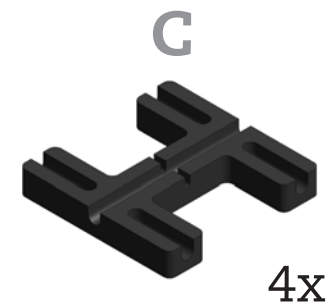
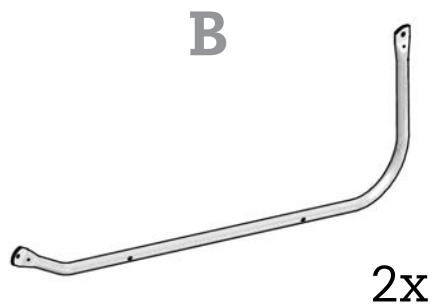
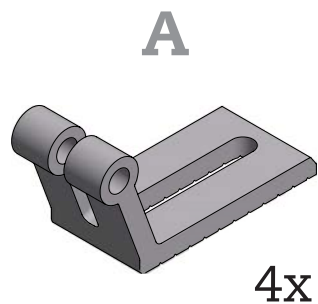
Panel: maximum dimensions 2280x1150 mm

Building height	0 - 5 meter		5 - 7 meter		7 - 9 meter		9 - 12 meter		12 - 15 meter		
	G1	G2	G1	G2	G1	G2	G1	G2	G1	G2	
Wind zone A (27 m/s)	36	94	36	94	36	94	36	94	36	94	kg
	4	10,5	4	10,5	4	10,5	4	10,5	4	10,5	tiles
Wind zone B (30 m/s)	X	X	X	X	X	X	X	X	X	X	kg
	X	X	X	X	X	X	X	X	X	X	tiles

X = the required ballast is higher than will fit under the system. The system must be mechanically attached to the roof. Please contact Van der Valk Solar Systems.

* If you use tiles of different sizes and thus another weight, you need to adjust the number of tiles to get the right weight.

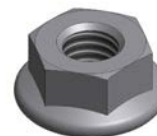
Components



5x (1 spare)



5x (1 spare)

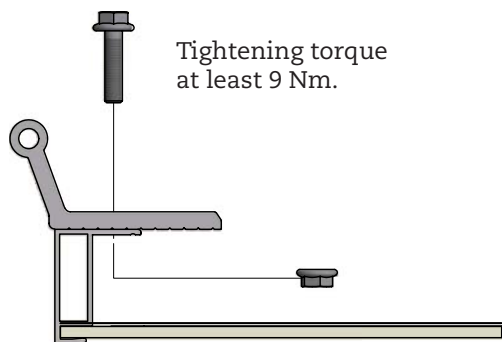
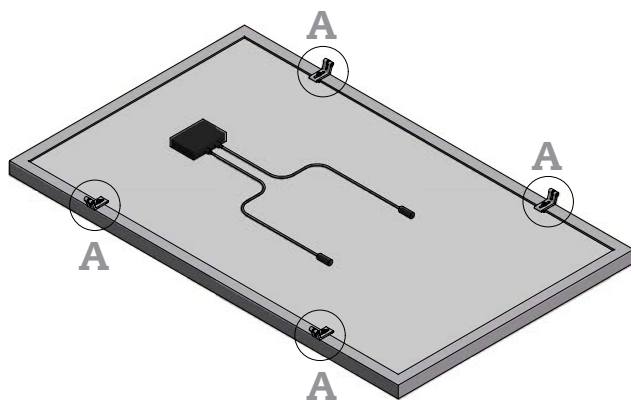


9x (1 spare)



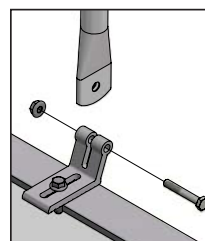
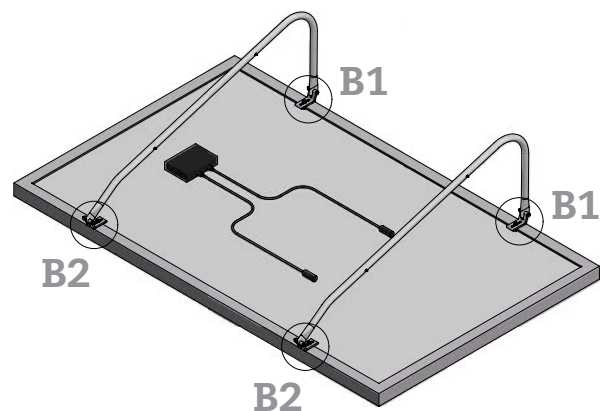
3x

Step 1: Mounting the clevis



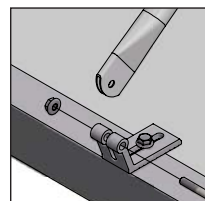
Step 2: Mounting the curved supports

The curved aluminum supports are suitable for panels with a width of 926 - 1150 mm.



Depending on the panel width, the clamps B1 and B2 must be positioned inwards or outwards. The correct orientation for each panel width is shown on the next page.

Tighten the hinge bolts B1 by hand. These must be removed temporarily at step 4.



Tighten the hinge bolts B2 firmly, with a tightening moment of at least 9 Nm, until there is no play.

Option 1: Mounting panel

For panel width 926 - 990 mm

Center to center mounting holes (panel frame): 896 - 970 mm

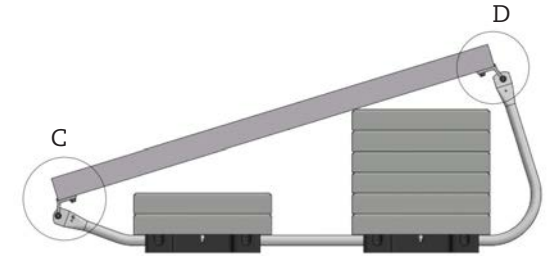
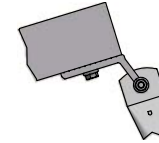
Under lip
turned inwards

C (1 : 4)



Top lip facing
inwards

D (1 : 4)



Option 2: Mounting panel

For panel width 991 - 1070 mm

Center to center mounting holes (panel frame): 970 - 1050 mm

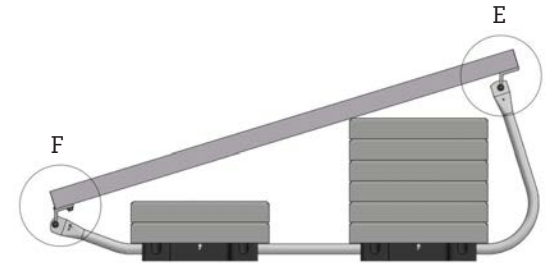
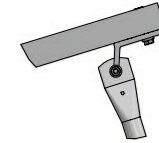
Under lip
turned inwards

F (1 : 4)



Top lip facing
out

E (1 : 4)



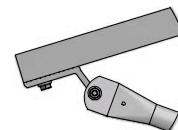
Option 3: Mounting panel

For panel width 1071 - 1150 mm

Center to center mounting holes (panel frame): 1050 - 1124 mm

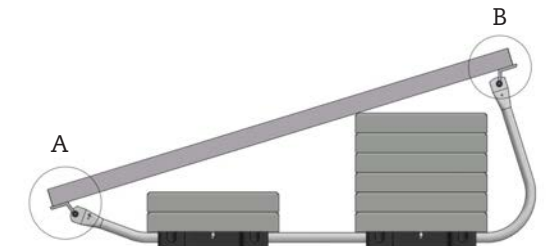
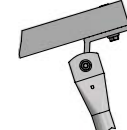
Under lip facing
outwards

A (1 : 4)



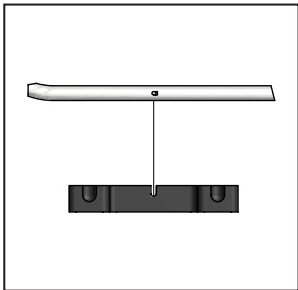
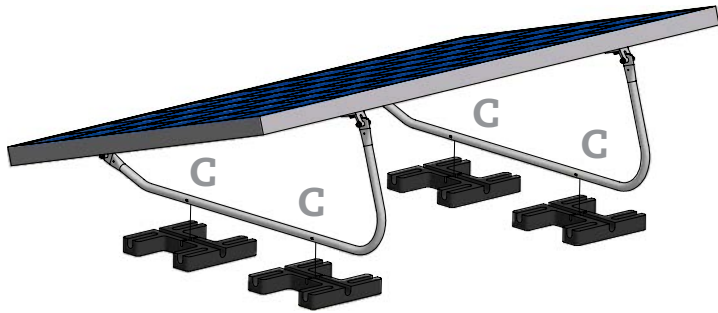
Top lip facing
out

B (1 : 4)



Step 3: Placing the rubber tiles

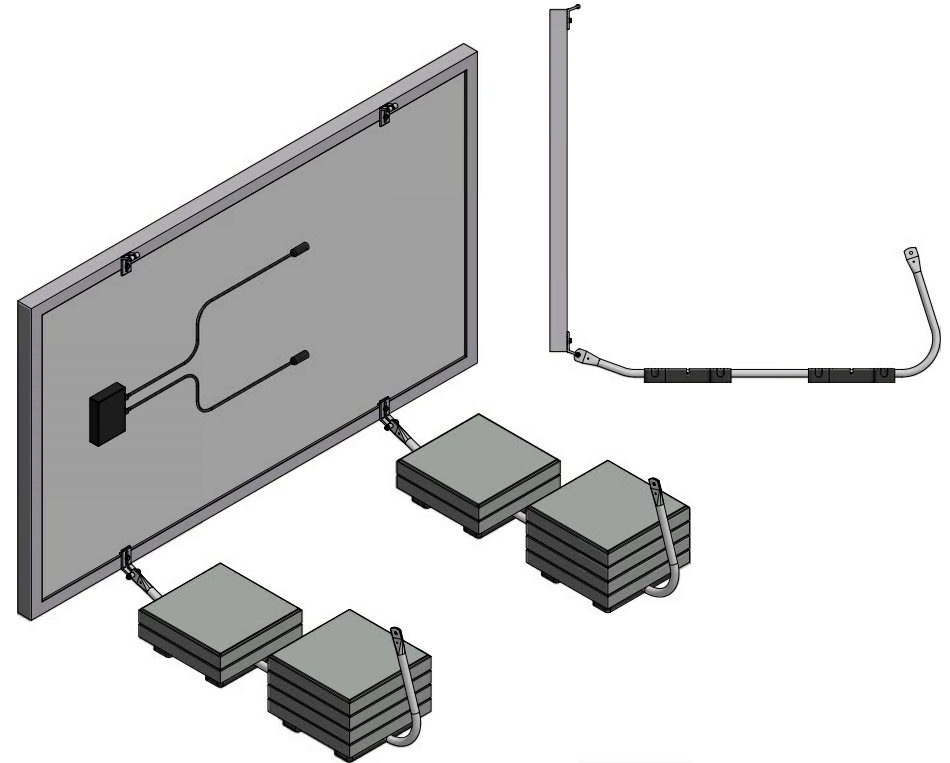
Turn over the panel and place it on the rubber tile carriers.



The projections on the curved aluminium supports must be placed in the grooves on the rubber tiles.

Step 4: Position the ballast

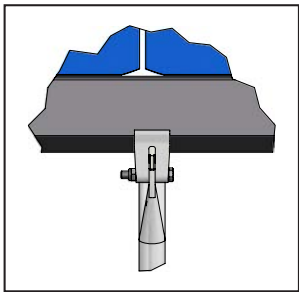
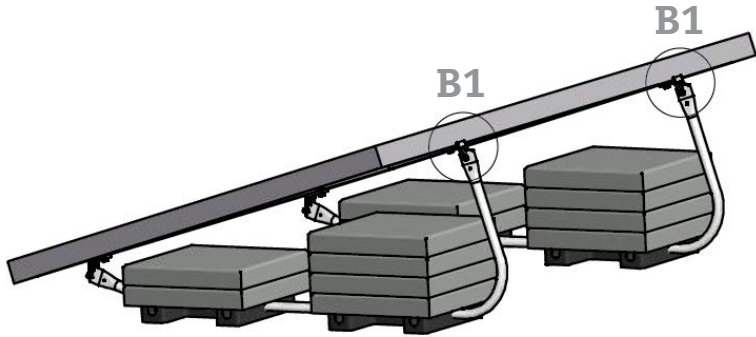
Remove the top hinge bolts B1 and place the panel in a vertical position. Make sure that you have some form of support in place or someone to hold the panel temporarily.



Position the ballast required.

Step 5: Tighten hinge bolts B1

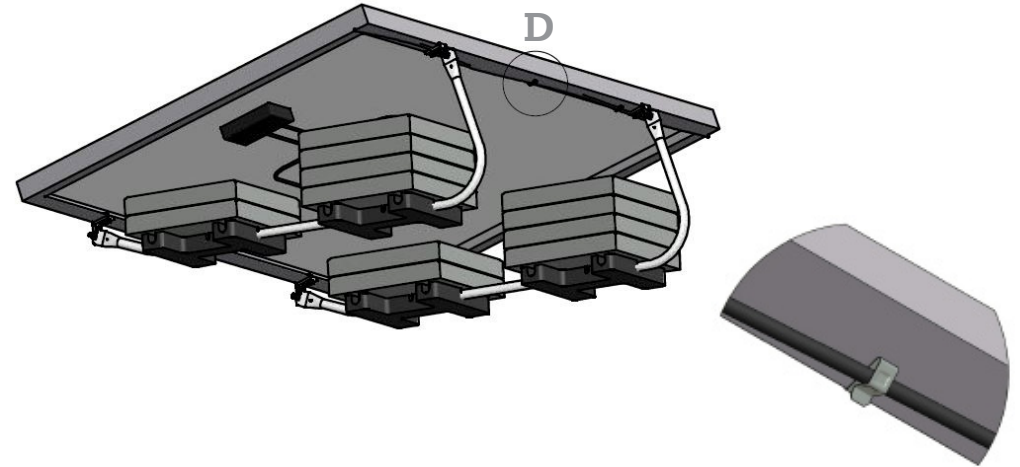
Attach the panel to the curved supports again and tighten hinge bolts B1.



Tighten hinge bolts B1 tightly, with a tightening moment of at least 9 Nm, until there is no play.

Step 6: Finish fitting the cables

The loose cables can be secured to the edge of the panel. Using the cable clamps supplied.



Step 7: Position the rows one behind each other

If a number of rows of panels are to be positioned one behind the other, we advise that an optimal pitch measure of 2.20 metres is observed; this will avoid any unwanted shadow. Optimal performance will be achieved if this pitch measure is used. Based on sun angle of 15 degrees.

