

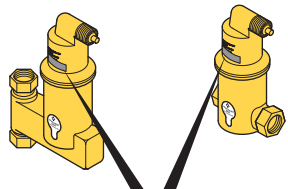



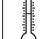
Mounting and operating instruction

For article no's starting with AA...FBA08

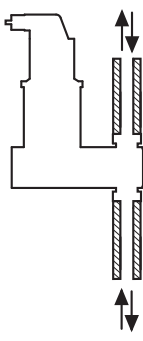
18.158_01









 0- ... bar

 0- ... °C

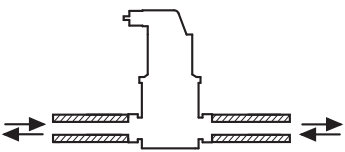
Acc.PED (97/23/EC) §3.3


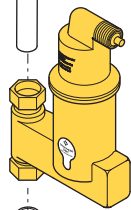



H₂O 


20% < glycol < 50%

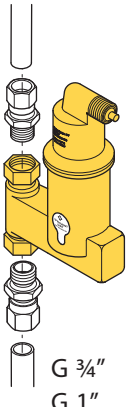


ø22mm


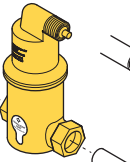


 0 bar





G 3/4"

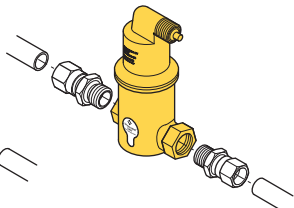
G 1"

ø22mm



 0 bar




G 3/4"


G 1"

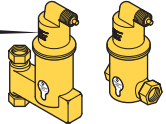
G 1 1/4"

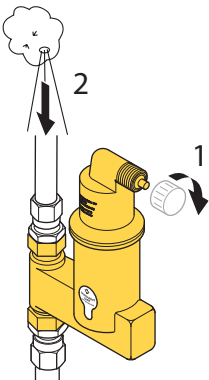
G 1 1/2"

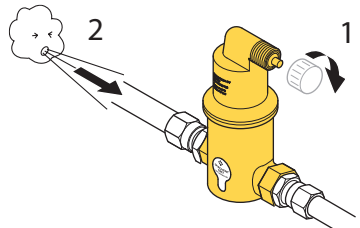
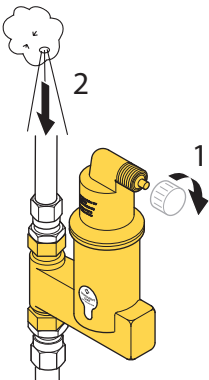
G 2"




 Pmax = 1,5 x ... bar







1

2